



## **OWNER'S MANUAL**

Use this owner's manual to reference installation, troubleshooting and replacement information.

If you need help or have a question, we've got you covered.

Give us a call at  
**855.424.9892**

# WHOLE HOUSE SOFTENERS

**AO-WH-PRO-300**  
30,000 Grain Unit  
*+ Chlorine Reduction*

**AO-WH-SOFT-450T**  
45,000 Grain Unit

**AO-WH-PRO-500**  
50,000 Grain Unit





A. O. Smith has obsessively engineered this water softener for you.

It features a built-in dirt and sediment filter and fine mesh resin that reduces scale buildup on internal pipes and plumbing.

Keep this owner's manual to reference installation, troubleshooting and replacement information.

If you need help or have a question, we've got you covered. Give us a call at 855.424.9892.

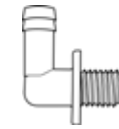
AO-WH-SOFT-PRO-300 / AO-WH-SOFT-450T / AO-WH-SOFT-PRO-500

# WATER SOFTENER

## TABLE OF CONTENTS

Box Contents .....	3
Before You Begin .....	4
Ferrous Iron and Compensated Hardness.....	5
Getting Maximum Efficiency from the Appliance .....	6
Precautions .....	7
Getting to Know Your New Softener.....	8
Valve Overview.....	9
System Configuration .....	10
Installation.....	11
Troubleshooting.....	16
Efficiency Statements.....	18
Specifications.....	19
Warranty.....	22
Spanish/Español.....	24

## BOX CONTENTS



OVERFLOW ELBOW



12V TRANSFORMER



V-185 NOZZLE



DRAIN LINE



CONTROLLER

### ⚠ WARNING

WARNING: indicates a potentially hazardous situation which, if not avoided, could result in death or injury.

Please read entire manual to ensure all parts listed are present before installation.

If any part is missing or damaged let us know by calling 855.424.9892. Do not attempt to install the softener.

### Tools recommended for installation:

- Crescent wrench
- Fittings 3/4" to 1"
- Pliers
- Hose clamp
- Screwdriver

Additional items, if needed, are available at Lowe's and Lowes.com.

Looking for a replacement part and need the part number? Please visit AOSmithAtLowe.com

Note: We recommend using an approved or certified professional to connect into existing plumbing and/or if drilling is required.

### Test Your Water

The first step in setting up your appliance is determining what elements are contained in your water supply. Use one of the options below to determine characteristics of your water.

- **Call Your Water Provider-** For municipal water, call your water department to determine the hardness and pH of your water supply.
- **Test Strips** - If test strips are provided, follow the instructions on the test strips. If the color on your test strip is between two readings, use the higher number. Compare the colors as soon as you remove them from your water.
- **Hardness Test** - The resulting number gives the hardness in grains per gallon (gpg) and/or parts per million (ppm or mg/L).
- **pH Test** - The pH number is used to rate the level of acidity or alkalinity of water soluble substances. Water should have a pH of 7.
- **Testing Laboratory** - To ensure proper settings, have a sample of your untreated water tested for iron and pH. To find a water testing facility, check online or in the Yellow Pages under Water Analysis or Water Testing. Alternatively, contact the company below to conduct a test for you. **National Testing Laboratories, Ltd. 1-800-458-3330 www.watercheck.com.**

**NOTICE:** If the water supply contains sand, sulfur, bacteria, iron bacteria, tannins, algae, oil, acid, or other unusual substances, consider pretreating the water to remove these contaminants before the water supply enters the water softener, unless the water softener is certified to treat these contaminants.

### Other Things To Know

**Water Pressure** - If water is municipally supplied, then water pressure must be greater than 20 psi (1.4 bar) and less than 120 psi (7 bar). If water is from a well, then water pressure must be greater than 40 psi (2.8 bar) and less than 120 psi (7 bar).

**Water Temperature** - Not less than 40° F (4° C) or greater than 120° F (49° C).

**Water Supply Flow Rate** - A minimum of 2.0 gallons (7.6 liters) per minute is recommended. For the purposes of plumbing sizing, only the rated service flow rate and corresponding water pressure loss may be used. Prolonged operation of a water softener at flow rates exceeding the tested service flow rate may compromise performance.

**Drain** - Connect water softener to an appropriate drain, such as a floor drain or washer drain that will comply with all local and state plumbing codes. To prevent back-siphoning, provide an adequate air gap or a siphon break. (see Installation Steps)

**Power Supply** - The transformer supplied is for a standard 110 volt, 60-cycle AC outlet or 220 volt, 50-cycle AC outlet for locations outside North America.

**Iron** - A common problem found in many water supplies is iron. It is important to know what type of and how much iron is in the water supply.

**NOTICE:** If ferrous iron is not present in your water, please skip the next page.

### Ferrous Iron

**NOTICE:** If the water supply contains ferrous iron, a commercially available resin bed cleaner should be used every six months. Follow the instructions on the container. You should increase your water hardness setting by 5 grains per gallon (86 mg/L) for every 1 ppm (1mg/L) of ferrous iron.

Iron	Description
<b>Ferrous Iron (a/k/a clear water or dissolved iron)</b>	Only type of iron that can be treated with a water softener.
<b>Ferric Iron</b>	Insoluble and the particles can eventually foul a resin bed. It should be filtered out before the water reaches the softener.
<b>Organic Iron or Bacterial Iron</b>	Attached to other organic compounds in the water. Additional treatment is needed to remove this type of iron.
<b>Colloidal Iron</b>	Not dissolved, yet stays in suspension. A softener cannot remove this type of iron.

### Determine Your Compensated Hardness

Compensated Hardness is the amount of ferrous iron present in the water as well as hardness content.

To determine compensated hardness in standard measurements you should increase your water hardness setting by 5 grains per gallon (86 mg/L) for every 1 ppm (1mg/L) of ferrous iron.

Use the section below for guidance and fill in the blank chart below to determine your Compensated Hardness.

Use this blank chart to determine your Compensated Hardness using standard measurements.

Description	Results
<b>Actual Hardness (use your test results for hardness)</b>	
<b>Ferrous Iron (x5 for standard) or (x86 for metric)</b>	+
<b>Compensated Hardness (add first two results for final result)</b>	=

### Standard Example

This example uses 3 (ppm or mg/L) of ferrous iron present in the water.

Description	Results
<b>Actual Hardness</b>	20 (gpg)
<b>*Ferrous Iron times five (x5)</b>	15
<b>Compensated Hardness (20+15)</b>	35
*Add five times (x5) the iron content in ppm or mg/L to the actual hardness	

### Metric Example

This example uses 3 (ppm or mg/L) of ferrous iron present in the water.

Description	Results
<b>Actual Hardness</b>	342 (mg/L)
<b>*Ferrous Iron times eighty-six (x86)</b>	258
<b>Compensated Hardness (342+258)</b>	600
*Add eighty six times (x86) the iron content in ppm or mg/L to the actual hardness	

To achieve the maximum benefit and performance from your water softener, familiarize yourself with this manual. If this device is not maintained and operated as specified in the owner's manual, there is a risk of exposure to contaminants.

- The salt level should always be at least 1/3 full. Refill salt when the level drops below the water level in the brine cabinet. A resin cleaner can be used on a monthly basis. Clean white pellet, cube-style, or solar salt is recommended.

**Do not use rock salt.**

**NOTICE:** Do not mix different types of salt.

- You may use a salt substitute (such as potassium chloride) in place of water conditioner salt. If potassium chloride is used in place of salt, multiply compensated hardness by 1.12.

**NOTICE:** Do not use potassium chloride if there is iron and/or manganese in the water.

- Should your electricity be off for any reason, check your controller for correct time and reset as necessary. (see Setting The Controller on page 14)
- Program the water softener to regenerate at a time when water is not being used. If there is more than one water appliance, allow two hours between each regeneration.
- If dirt, sand, or large particles are present in water supply, the self-contained water softener filter will remove some dirt and sediment.

- The water softener may be disinfected with 5.25% sodium hypochlorite, which is the active ingredient in household chlorine bleach. To disinfect appliance, add 4.0 fluid ounces (120 mL) of chlorine bleach solution to brine well of the brine tank. Brine tank should have water in it. You may also add it directly into brine cabinet if there is no salt and only water in cabinet. Start a manual regeneration.

**⚠ WARNING:**

**TOXIC CHEMICAL REACTION**

Do not mix bleach with commercial resin cleaner since a dangerous chemical reaction may occur. Inhalation of a toxic chemical reaction can cause loss of consciousness and severe burning with physical contact.

- Protect the water softener, including the drain line, from freezing.
- Bypass Valve (attached to the main control valve) enables you to bypass the water softener if any work is being performed on it, the well pump, or plumbing. Use Bypass Mode also for watering plants or lawns with untreated water. To bypass, turn gray knob to the left until it hits the stop; turn it to the right to restore service. (see Bypass Valve Overview)
- Before putting water softener back in service after work has been performed, turn on nearest cold water tap until water runs clear.
- Adhere to all operational, maintenance, and placement requirements.
- Inspect and clean the brine tank and air check/draw tube assembly annually or when sediment is present in brine tank.

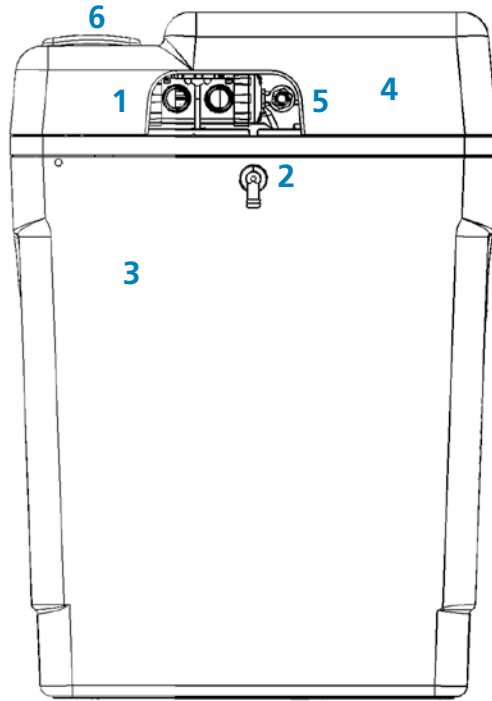
**Do**

- Comply with all state, local, building, plumbing, and electrical codes.
- Test your water quality with strips provided. Optionally, obtain a report on your water's quality.
- Install water softener before water heater.
- Install water softener after the pressure tank on well water installations.
- Install a pressure-reducing valve if inlet pressure exceeds 70 psi (4.8 bar).
- Examine inlet line to ensure water will flow through it freely and confirm inlet pipe is sized correctly. For well water with iron, the recommended minimum inlet pipe size is 3/4" (1.9 cm) I.D. and for municipal water the recommended minimum inlet pipe size is 1/2" (1.27 cm) I.D.
- Install a gravity drain on cabinet.
- Secure drain line on water softener and at drain outlet. Due to high pressure, clamps are recommended on drain line. (see Installation Steps)
- Allow a minimum of 8 to 10' (2.4 to 3.0 m) of 3/4" (1.9 cm) pipe from the outlet of water softener to the inlet of water heater.

**Do Not**

- Install if checklist items are not compliant. (see Checklist Before Installation)
- Install if incoming or outlet piping water temperature exceeds 120° F (49° C). (see Specifications)
- Allow soldering torch heat to be transferred to valve components or plastic parts when using optional copper adapters.
- Over-tighten plastic fittings. Fittings can be obtained at Lowe's.
- Position water softener against a wall that would prohibit access to plumbing. (see Installation Steps)
- Install water softener backwards. Refer to the arrows on inlet and outlet for correct installation.
- Plug transformer into an outlet that is activated by an On/Off switch.
- Connect drain and the overflow (gravity drain) lines together.
- Use to treat water that is micro-biologically unsafe or of unknown quality without adequate disinfection before or after the water softener.
- Allow your water softener or drain line to freeze.

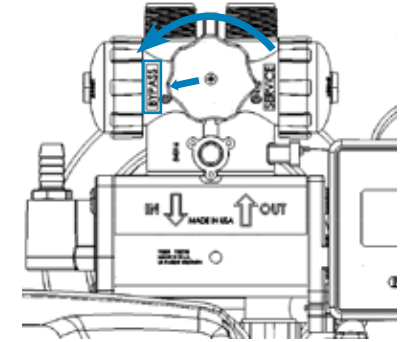
Part	
1	Bypass Valve
2	Gravity Flow Connection
3	Brine Cabinet
4	Lid
5	Drain Line Fitting
6	Controller Housing



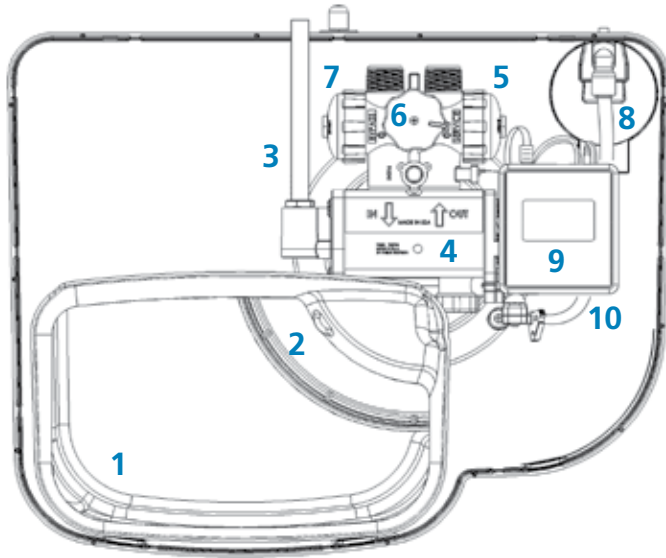
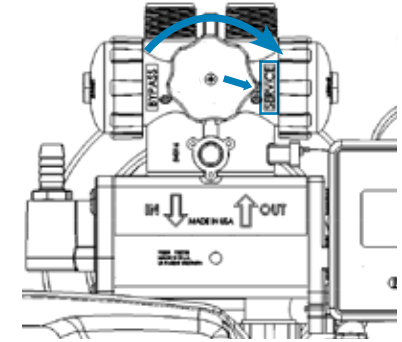
The Bypass Valve can isolate the appliance should appliance malfunction or leak. It can also permit the use of untreated water for watering plants, shrubs, or lawns.

The Bypass Valve is attached to the main control valve. To engage the Bypass Valve, locate the gray knob on top of the Bypass Valve. Turn knob to the left until it hits the stop. The appliance will be bypassed and all water to the home is raw, untreated water. To prevent untreated water from entering the home, water should not be used inside the home when the appliance is in Bypass Mode. Ensure that the appliance is returned to Service Mode when the appliance is repaired or the use of untreated water is complete by turning the gray knob to the right until it hits the stop.

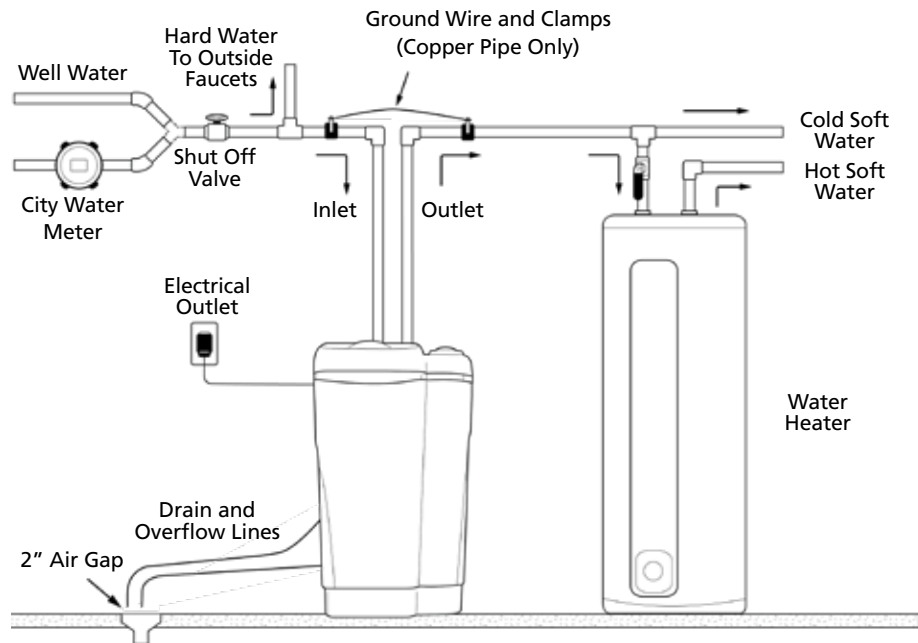
**Bypass Position**



**Service Position**



Part	
1	Brine Cabinet
2	Media Tank
3	Drain Line
4	Bypass Valve
5	Bypass Position
6	Bypass Knob
7	Service Position
8	Safety Shutoff
9	Controller
10	Brine Line



**NOTICE:** Failure to comply with these specifications may decrease the effectiveness of the backwash and cause control valve malfunction. The water softener, like any other appliance, requires correct installation and setting for optimum performance.

**⚠ WARNING:**



**ELECTRICAL SHOCK HAZARD**

Prior to installation on metallic plumbing, securely install two grounding clamps and a #4 copper wire per installation instructions. Failure to follow these instructions can result in death or electric shock.

## 1 Prepare the Appliance

Remove all packaging or installation materials from brine cabinet.

## 2 Prepare the Placement Area

- 1 Ensure the placement area is clean.
- 2 Turn off electricity and water supply to the water heater. For gas water heaters, turn the gas cock to "Pilot".
- 3 Examine inlet plumbing to ensure that the pipe is not plugged with lime, iron, or any other substance. Clean or replace plugged plumbing.

**NOTICE:** A minimum 3/4" pipe is required between the pressure tank and the water softener for it to function properly. This note does not apply to city water, only to well water.

Ensure inlet/outlet and drain connections meet the applicable state and local codes.

Check arrows on bypass valve to ensure the water flows in the proper direction. (see Bypass Valve Overview)

**NOTICE:** Do not install water softener backwards.

## 3 Turn Off Water Supply

- 1 Turn off the water supply.
- 2 Open the hot and cold water taps to depressurize the lines.

Place water softener in desired location using the system configuration diagram as a guide. The diagram applies to a basement, slab, crawl space, and outside installations.

For most installations, install appliance after the pressure tank and any water filter appliance or water meter; and before the water heater unless otherwise recommended. When installing additional filters, such as a carbon filter for well water, place the filter after any water conditioning appliance unless otherwise recommended.

**Water Heaters:** If less than 10' (3 m) of pipe connects the water treatment appliance(s) to the water heater, install a check valve between water treatment appliance and water heater as close to the water heater as possible. An expansion tank may also be used. Ensure the water heater has an adequately rated temperature and pressure safety relief valve.

**NOTICE:** It is strongly recommended to cover the unit if installed outdoors.

## 4 Connect Water Lines

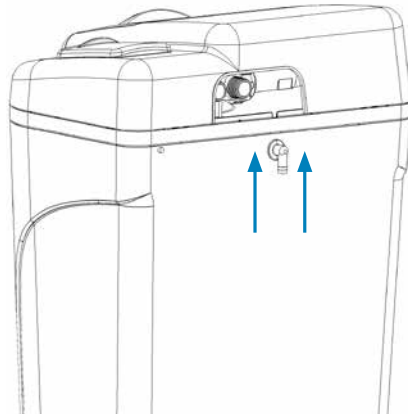
Connect water lines in compliance with all state, local, building, plumbing, and electrical codes. Valve connection fittings on the back of the unit are 1" MNPT. They can be connected to your home's plumbing supply with a variety of connectors or fittings (sold separately). You can plumb your softener to CPVC, PEX, or copper. If using copper fittings do not allow solder torch to melt the plastic threads on valve.

## 5 Connect Gravity Overflow Connection

The overflow line drains away excess water should the cabinet overflow or the water softener malfunction. (See Gravity Overflow Elbow) Ensure the overflow elbow is in the down position.

Connect 1/2" (1.27 cm) I.D. tubing (size cannot be reduced) between the overflow fitting and a floor drain, laundry tub, or other suitable waste receptacle. Note: This tubing is not supplied with the water softener. Ensure the overflow line ends at a drain that is at least 3" (8 cm) lower than the bottom of the overflow fitting. Maintain a minimum 2" (5 cm) air gap between the overflow line and the flood level rim of the waste receptor to prevent back-siphoning. The gravity line cannot be run overhead.

Gravity Overflow Elbow



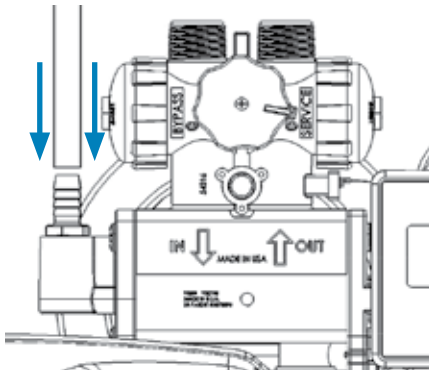
**NOTICE:** Keep the drain line from being kinked, crimped, or restricted in any way.

## 6 Connect Drain Line

The drain line carries away backwash water as part of the regeneration cycle.

- 1 Connect drain line to drain end cap (see Connect Drain Line) with a minimum 1/2" (1.27 cm) I.D. tubing (supplied). This size cannot be reduced. Note: Using PTFE tape or plumber's putty, screw threaded drain fitting into drain end cap.
- 2 Route drain line to a floor drain, laundry tub, or other suitable waste receptacle. Maintain a minimum 2" (5 cm) air gap between drain line and flood level rim of waste receptacle to prevent back siphoning. This drain line should be the shortest distance to the suitable drain.
- 3 Drain line may be elevated up to 8' (2.4 m) from the discharge on the water softener if water pressure in your system is 40 psi (2.8 bar) or more.
- 4 If drain line is 25 feet (7.6 m) or longer, increase drain line to 3/4" I.D. The end of drain line must be equal to or lower in height than the control valve.

Connect Drain Line



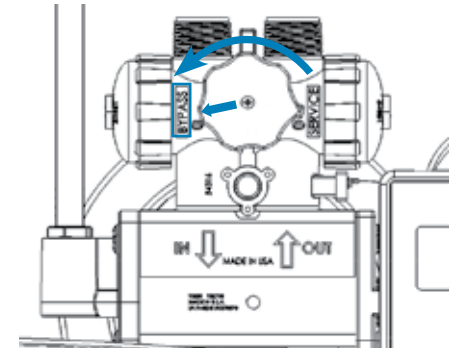
**NOTICE:** Drain line may require a hose clamp to hold drain line in place.

## 7 Flush Lines

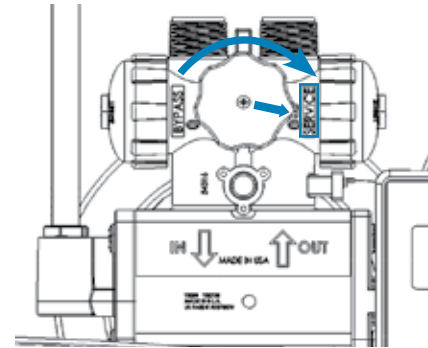
- 1 Place water softener in Bypass position. Turn on main water supply.
- 2 Turn on nearest cold water faucet to flush plumbing of any excess soldering flux, air, or any other foreign material. Return water softener to Service position.

**NOTICE:** To prevent untreated water from entering your home, avoid using water inside your home when water softener is in Bypass position. Remember to return to Service position when you have finished flushing the system or using untreated water.

Bypass Position



Service Position



## 8 Check for Leaks

Turn off all faucets. Check all lines and connections for leaks.

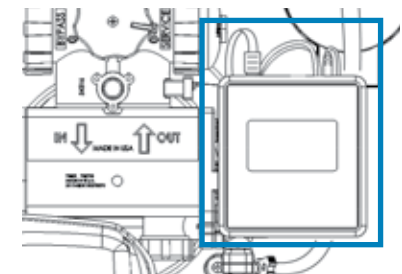
**If leaks are found:**

- Turn off the main water supply.
- Turn on cold water faucet to depressurize the lines.
- Turn off the faucet to eliminate any siphoning action.
- Repair all leaks.
- Turn on the water supply.
- Place bypass in Service position to slowly fill media tank. (see image)
- Turn on cold water faucet to purge air out of media tank.
- Turn off the faucet and recheck for leaks.

## 9 Plug in the Transformer

- 1 Ensure the sensor wire and motor wire are connected, then plug the transformer power cord to the back of the controller. (see Connecting Power)
- 2 Plug the transformer into an appropriate outlet. Ensure the outlet selected is not operated by an On/Off switch.
- 3 Program the water softener controller in the next step.

Connecting Power





## 10 Setting the Controller

- 1 On the home screen, press the "MENU" button.
- 2 On the Main Menu screen, press the button for "Hardness".
- 3 On the Water Hardness screen, press the "+" button to increase hardness or "-" button to decrease hardness.
- 4 Press the "ACCEPT" button to save the value and return to the Main Menu screen.
- 5 Press the "BACK" button to return to the home screen.

The Main Menu screen has other options if you choose to change the factory default settings. Depending on the model, not all options will apply. The controller should only display options available to the model for which it is programmed.

### Main Menu

#### Display Settings:

Units: Toggle between English and Metric units

Time: Set the current time of day

Regen Time: Set the regeneration time

#### Regeneration Settings:

Type: Toggle between High Efficiency, High Capacity, or Automatic

Mode: Toggle between Delayed or Demand

Override: Toggle between 96 Hours or None

#### Alarm Settings:

Low Salt: Toggle between On and Off

Low Temperature: Toggle between On and Off

#### Wi-Fi Settings:

Privacy Policy Consent: User must say Yes to access the following screens.

Status: Connected or Not Connected

Network: Select the network name from a list or manually select the Network SSID

Password: Enter the password

IP Address: Enter an IP address

Email Address: Add an email address

Low Salt: When the controller determines salt level is low, an alert screen will appear and the controller will beep. User will press the "OK" button to silence the beeping.

Additionally, if using Wi-Fi controllers, an email will be sent. The Salt Level icon on the

home screen will flash "ADD". When user presses the Salt Level icon, the Salt Level screen will appear. When salt is added, user will input how much salt is in the cabinet and press "ACCEPT" button. Controller will then reset to show Salt Level = OK.

Low Temperature: When the controller detects temperatures close to freezing (below 40° F/4° C), an alert screen will appear and the controller will beep. The user will hit the "OK" button to silence the beeping. Additionally, if using Wi-Fi controllers an email will be sent. When the temperature rises above the low temperature threshold, the controller will automatically reset alarm and stop beeping.

#### Manual Regeneration:

User can press and hold "REGEN" button to force an immediate regeneration. The "NEXT" button that appears on the screen allows the user to advance the cycle to the next position.

#### Factory Reset:

On Main Menu screen there is a button labeled "RESET". Pressing this button brings up Restore Defaults screen. Pressing "Yes" will return controller to factory default settings.

## 11 Add Water to the Brine Cabinet

- 1 Add 5 gallons (19 L) of water to brine cabinet. After first regeneration, appliance will automatically refill the correct amount of water into brine cabinet.
- 2 Ensure appliance is in Service position and your water supply is turned on.
- 3 Continue to press and release Regenerate button until controller advances to the Brine Refill (04) position.

Allow the tank to fill with the proper amount of water. The controller will then advance the valve to Home position.

**NOTICE:** This initial startup is the only time you will add water to the brine cabinet. Do not add water at any other time.

## 12 Fill Brine Cabinet With Salt

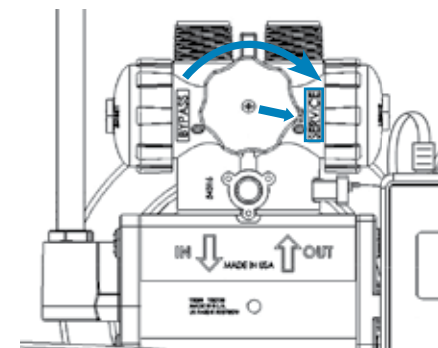
Fill brine cabinet with salt. Use clean white pellet, cube-style, or solar salt. Do not mix pellet with solar salt.

**NOTICE:** Always keep the salt level above the water level. For convenience, fill the tank 3/4 when refilling with salt.

If salt level was below water level before salt was added, wait two (2) hours for saturated brine before starting any regeneration.

**NOTICE:** Use of potassium chloride when iron and/or manganese are present in the raw water supply is not recommended.

### Service Position



## 13 Complete the Installation

- 1 Ensure bypass is left in the Service position. (see Service Position above)
- 2 Ensure water supply is on.
- 3 Open inlet valve and turn on electricity to water heater. For gas water heaters, return the gas cock to "On."
- 4 Turn on a cold water tap and allow water softener to flush for 20 minutes or until approximately 72 gallons (270 liters) have passed through. This procedure is required to meet NSF compliance. Verify the controller indicates water flow. (see Setting the Controller)
- 5 Place the cover on the cabinet.

Problem	Possible Cause	Solution
<b>No Soft Water After Regeneration</b>	No salt in brine cabinet.	Add salt.
	Sediment in brine cabinet has plugged the brine line and air check/draw tube.	Remove the brine line and flush clean. Remove the air check/draw tube and flush with clean water. Clean injector assembly. Clean any sediment from brine cabinet.
	Flow control is plugged.	Remove brine piston housing and clear debris from the flow control.
	Drain line is pinched, frozen, or restricted.	Straighten, thaw, or unclog the drain line.
	Clogged injector assembly.	Remove injector cap and clean nozzle and throat with a wooden toothpick. Replace entire assembly if throat removed.
	Salt bridge has formed due to high humidity or the wrong kind of salt.	Test with a blunt object like a broom handle. Push the handle into the salt to dislodge the salt bridge, or use hot water around the inside perimeter to loosen salt.
<b>No Soft Water</b>	The Bypass Valve is in the Bypass Position.	Place the Bypass Valve in the Service position.
	Appliance is plumbed backwards.	Check that appliance is plumbed correctly.
	Extended power outage.	Reset the time of day and regenerate the unit.
	Water hardness has increased.	Re-test the water and re-enter a new setting number.
	Not metering water.	Flow should be indicated with water usage. If no flow, see below.
<b>No Flow Is Indicated When Water Is Flowing</b>	The Bypass Valve is in the Bypass position.	Place the Bypass Valve in the Service position.
	Appliance is plumbed backwards.	Check that appliance is plumbed correctly.
	Sensor not receiving signal from magnet on turbine.	Remove sensor from bypass housing. Test with magnet on either flat side of sensor. If flow is indicated, check turbine. If no flow, replace sensor.
	Turbine is jammed.	Remove Bypass Valve and clear debris from turbine.
<b>Flow Indicated When Water Is Not Being Used</b>	The household plumbing system has a leak.	Repair the leak.
<b>No Read-Out In Display</b>	Electric cord is unplugged.	Plug in the transformer.
	No electric power at outlet.	Check power source. Make sure outlet is not controlled by a switch.
	Defective transformer.	Test with voltmeter for 12 VAC at control. If less than 10 VAC replace the transformer.
	Defective circuit board.	With 12 VAC present at controller, replace the controller.

Problem	Possible Cause	Solution
<b>Appliance Stays In Regeneration</b>	Controller not attached properly.	Make sure the controller is pushed all the way onto the cover plate.
	Defective magnet disk.	Replace magnet disk.
	Foreign object in main control valve.	Remove foreign object(s) from the main control valve.
	Broken valve assembly. Motor running.	Repair the valve assembly.
<b>Excess Water In Brine Tank</b>	Restricted, frozen, or pinched drain line.	Remove restriction, thaw, or straighten drain line.
	Plugged brine line, brine line flow control, or air check/draw tube.	Clean flow control, air check/draw tube, and brine line. Clean any sediment from the brine cabinet.
	Plugged injector assembly.	Clean or replace injector. Replace entire assembly if throat removed.
<b>Salty Water</b>	Plugged injector.	Replace injector screen, nozzle, and throat.
	Low water pressure.	Maintain minimum pressure of 30 psi (2.1 bar).
	Drain line or flow control is restricted.	Remove restriction.
	Brine line restricted or crimped.	Remove restriction, replace if crimped.
	Excessive amount of water in brine cabinet.	Verify correct water level relative to salt setting. Estimated amount of water should be 2-12". Check brine line and fittings for loose connections.
	Intermittent pressure drop from feed source.	Install check valve on the inlet water line to the appliance (check local plumbing codes first).
	Brine valve drips water back to brine tank.	Clean brine valve housing, replace piston assembly.
<b>Controller Error Messages</b>	"E1" Home not found.	Cycle power by unplugging the transformer and plugging it back in. It will look for Home again. Ensure the controller is pushed all the way onto the cover plate.
	"E2" Motor error.	All wires should be unplugged and replugged, sequence is motor, sensor, and power cord. Plug motor in and cycle power. If it is already plugged in, then motor wiring or the motor plug is defective. This could also be a problem with the computer.
	"E3" Home offset.	Disk did not start in proper home location. Cycle power controller will automatically try to reset itself by finding Home and continuing the regeneration. Ensure the controller is pushed all the way onto the cover plate.
	"E4" Home latched.	Gear teeth are not engaged, gear is stripped, or something is jammed in the valve. Cycle the power to reset.
	"E5" Memory error.	Replace controller.

This product is efficiency rated according to NSF/ANSI 44. The stated efficiencies are valid only at the specified salt dosage and 7.0 gpm (26.5 L/min):

Model	Rated Efficiency	Salt Dosage	Capacity at That Dosage
AO-WH-SOFT-450T	5,210 grains/lb (742 grams/kg)	1.25 lb (0.57 kg)	6,510 grains (422 grams)
AO-WH-SOFT-PRO-300	5,210 grains/lb (742 grams/kg)	1 lb (0.45 kg)	5,210 grains (338 grams)
AO-WH-SOFT-PRO-500	5,210 grains/lb (742 grams/kg)	1.66 lb (0.75 kg)	8,650 grains (561 grams)

An efficiency-rated water softener is a demand-initiated regeneration softener that also complies with specific performance specifications intended to minimize the amount of regenerant brine and water used in its operation.

Efficiency-rated water softeners shall have a rated salt efficiency of not less than 3,350 grains of total hardness exchange per pound of salt (based on NaCl equivalency) (477 grams of total hardness exchange per kilogram of salt), and shall not deliver more salt than its listed rating.

Efficiency is measured by a laboratory test described in NSF/ANSI 44. The test represents the maximum possible efficiency that the system can achieve. Operational efficiency is the actual efficiency achieved after the system has been installed. It is typically less than the efficiency due to individual application factors including water hardness, water usage, and other contaminants that reduce the softeners' capacity.

#### Reduction Capabilities for Specific Contaminants

Name of Substance	USEPA Max. Contaminant Level	Influent Challenge Level
Barium	2.0 mg/L	10 +/- 10% mg/L
Radium 226/228	5 pCi/L	226/228: 25 pCi/L

#### Salt and Capacity Range

Model	Minimum Capacity/Salt	Middle Capacity/Salt	Maximum Capacity/Salt
AO-WH-SOFT-450T	6,510 grains/1.25lb	35,960 grains/10 lb	45,000 grains/18.75lb
AO-WH-SOFT-PRO-300	5,210 grains/1lb	20,360 grains/5 lb	30,000 grains/9lb
AO-WH-SOFT-PRO-500	8,650 grains/1.66lb	33,410 grains/8lb	50,000 grains/15lb

	AO-WH-SOFT-450T	AO-WH-SOFT-PRO-300	AO-WH-SOFT-PRO-500
Specification	45,000 Grain Capacity Water Softener	30,000 Grain Capacity Water Softener For City Water	50,000 Grain Capacity Water Softener
Maximum Capacity - grains	45,000	30,000	50,000
Maximum Compensated Hardness - gpg (mg/L)	100	90	110
Maximum Ferrous Iron Reduction - ppm <sub>5,6</sub>	10	0	10
Minimum pH - standard units	7	7	7
Maximum Chlorine - ppm	0	3	0
Water & Ambient Temperature Minimum-Maximum - °F (°C)	40/120 (4/49)	40/120 (4/49)	40/120 (4/49)
Water Pressure Minimum - Maximum - psi (bar)	20/120 (1.4/8.3)	20/120 (1.4/8.3)	20/120 (1.4/8.3)
Maximum Flow Rate to Drain During Regeneration gpm (L/min)	2 (7.6)	2 (7.6)	2.4 (9.1)
Minimum Water Flow for Backwash gpm (L/min)	2 (7.6)	2 (7.6)	2.4 (9.1)
Service Flow Rate (@15 psi (1.0 bar)) drop - gpm (L/min)	8	9.1	7
High Efficiency Salt Setting - lb/grains removed (kg/grams removed)	5/21600 (2.3/1400)	3/13400 (1.4/868)	6/26400 (2.7/1710)
High Efficiency Salt Setting - Total Length of Regeneration - min/gal (min/L)	35/26 (35/98)	27.5/21 (27.5/80)	42.5/30 (42.5/114)
High Capacity Salt Setting - lb/grains removed (kg/grams removed)	9/33600 (4.1/2170)	7/26000 (3.2/1685)	10/39500 (4.5/2560)

	AO-WH-SOFT-450T	AO-WH-SOFT-PRO-300	AO-WH-SOFT-PRO-500
<b>High Capacity Salt Setting - Total Length of Regeneration - min/gal (min/L)</b>	40/30 (40/114)	33/25 (33/95)	48/34 (48/129)
<b>Total Length of Regeneration (Factory Setting) - min/gal (min/L)</b>	35/26 (35/98)	27.5/21 (27.5/80)	42.5/30 (42.5/114)
<b>Controller Type</b>	2.8" color touch screen	2.8" color touch screen	2.8" color touch screen
<b>Electrical Rating</b>	220V, 60 Hz	220V, 60 Hz	220V, 60 Hz
<b>Plumbing Connections (NPT)</b>	1" male NPT	1" male NPT	1" male NPT
<b>Salt Storage - lb (kg)</b>	200	200	200
<b>Height - inches (cm)</b>	39.5 (100)	39.5 (100)	39.5 (100)
<b>Footprint - inches (cm)</b>	22.8 X 18.1 (57.8 x 46)	22.8 X 18.1 (57.8 x 46)	22.8 X 18.1 (57.8 x 46)
<b>Shipping Weight - approx. - lb (kg)</b>	120 (55)	115 (52)	145 (66)
<b>Ultra-Fil - lb (kg)</b>	1.5 (0.7)	1.5 (0.7)	1.5 (0.7)
<b>Carbon - lb (kg)</b>	0	7 (3.2)	0
<b>Fine Mesh Resin - cu ft (L)</b>	1.25 (35.4)	1 (28.3)	1.66 (47)

**What is covered:** This Warranty covers defects in materials or workmanship in manufacturing of your A. O. Smith system, excluding media, and except as provided below.

**For how long:** This warranty runs for five (5) years from the date of purchase by a consumer for mechanical and electronic parts and ten (10) years from the date of purchase by a consumer for the media tank/main control valve and brine cabinet ("Warranty Period").

**What is not covered:** The limited warranty stated herein is in lieu of any and all warranties, express or implied, whether written or oral, including but not limited to the implied warranties of fitness for a particular purpose or the implied warranty of merchantability.

This warranty does not cover damage caused by improper installation, maintenance, or operation. System must be installed, maintained and operated consistent with instructions provided in the manual and all applicable plumbing and electrical codes and regulations. It also does not cover the following:

- Incidental or consequential damages caused by a failure of the product.
- Clogging.
- Damage from use of non-potable water supplies.
- Labor costs to install or replace the system or filters.
- Damage caused by fire, flood, freezing or acts of God.
- This warranty is voided if the product is used with parts that are not genuine A. O. Smith parts.
- Media is not warranted and A. O. Smith does not warrant any water treatment capabilities beyond those specifically represented. Water containing sand, bacterial iron, algae, sulphur, tannins,

organic matter, or other unusual substances should be treated to remove these substances before they enter this product.

**What A. O. Smith will do:** We will replace the defective part of the covered product, or if necessary, the product and send it to you with installation instructions for use by a licensed plumber.

**How to get service:** To receive service under this Warranty, you must contact A. O. Smith at 1-855-424-9892 or AOSmithAtLowe.com/contactus within the Warranty Period to describe the problem to a customer service representative who will verify that the product is under warranty and determine whether a part or the system will be replaced and whether you must send back the defective part at our cost. If you are to send back the part or system, we will send you a return shipping label. You will be required to provide a proof of purchase (unless you purchased direct from us or have sent us a Warranty Card). We will send you the replacement part or system at no cost to you.

**How state law applies:** This warranty gives you specific rights and you may have other rights which vary from state to state.

Some states do not allow the exclusion or limitation of implied warranties or incidental or consequential damages, so the above limitation or exclusion may not apply to you.

**Warranty card:** Warranty registration is not required for coverage under the A. O. Smith Limited Warranty. If you purchased from a retailer or dealer, please complete the online warranty registration form at [www.AOSmithAtLowe.com/register](http://www.AOSmithAtLowe.com/register). Once registered online, we will have a record of your purchase and you will not be required to produce a proof of purchase for a warranty claim.



A. O. Smith diseñó este ablandador de agua minuciosamente para usted.

Cuenta con un filtro incorporado de sedimentos y suciedad y resina de malla fina que reducen la acumulación de sarro en las tuberías y plomería interna.

Conserve este manual del propietario como referencia para la instalación, resolución de problemas e información de cambio.

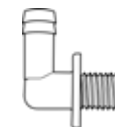
Si necesita ayuda o tiene alguna consulta, nosotros nos encargamos. Llámanos al 855.424.9892.

AO-WH-SOFT-PRO-300 / AO-WH-SOFT-450T / AO-WH-SOFT-PRO-500

## ABLANDADOR DE AGUA

### TABLA DE CONTENIDO

Contenido de la caja .....	25
Antes de comenzar .....	26
Hierro ferroso y dureza compensada.....	27
Cómo obtener la máxima eficacia del artefacto .....	28
Precauciones.....	29
Conociendo su nuevo ablandador .....	30
Información general de la válvula .....	31
Configuración del sistema .....	32
Instalación.....	33
Resolución de problemas.....	38
Declaraciones de eficacia.....	40
Especificaciones .....	41
Garantía .....	43



CODO DE REBOSE



TRANSFORMADOR DE 12 V



BOQUILLA V-185



TUBERÍA DE DRENAJE



CONTROLADOR

#### ⚠ ADVERTENCIA

ADVERTENCIA Advertencia indica una situación peligrosa que, si no se evita, puede provocar la muerte o lesiones graves.

Lea todo el manual antes de la instalación para asegurarse de que todas las piezas indicadas estén presentes.

Si falta una pieza o alguna está dañada, llámenos para avisarnos al 855.424.9892.

No intente instalar el ablandador.

#### Herramientas recomendadas para la instalación:

- Llave inglesa
- Conectores de 3/4" a 1"
- Alicates
- Abrazadera para manguera
- Destornillador

Los elementos adicionales necesarios están en Lowe's y Lowes.com.

¿Busca un repuesto y necesita el número de pieza? Visite AOSmithAtLowes.com.

Nota: Recomendamos llamar a un profesional autorizado o certificado para realizar conexiones en tuberías existentes o si es que se necesita perforar.

## Pruebe su agua

El primer paso para configurar su artefacto es determinar qué elementos contiene su suministro de agua. Use una de las siguientes opciones para determinar las características de su agua.

- Llame a su proveedor de agua: En caso de agua municipal, llame al Departamento de Aguas para determinar la dureza y el pH del suministro de agua.
- Tiras de prueba: Si se proporcionan tiras de prueba, siga las instrucciones de estas. Si el color de la tira de prueba está entre dos lecturas, use el número mayor. Compare los colores tan pronto como las retire del agua.
- Prueba de dureza: El número resultante muestra la dureza en granos por galón (gpg) o parte por millón (ppm o mg/L).
- Prueba de pH: El número de pH se utiliza para clasificar el nivel de acidez o alcalinidad de las sustancias solubles en agua. El agua debe tener un pH de 7.
- Laboratorio de pruebas: Para garantizar los ajustes correctos, solicite realizar pruebas de hierro y pH en una muestra de su agua no tratada. Para encontrar un establecimiento de pruebas de agua, revise en línea o en las Páginas Amarillas, bajo Análisis de agua o Pruebas de agua. De manera alternativa, comuníquese con la empresa a continuación para que realicen las pruebas con usted. **National Testing Laboratories, Ltd. 1-800-458-3330 [www.watercheck.com](http://www.watercheck.com)**

**NOTA:** Si su suministro de agua contiene arena, azufre, bacterias, bacterias de hierro, taninos, algas, aceite, ácido u otras sustancias inusuales, considere tratar previamente el agua para eliminar estos contaminantes antes de que el suministro de agua ingrese al ablandador de agua, a menos que el ablandador de agua esté certificado para tratar estos contaminantes.

## Otras cosas que debe saber

**Presión del agua:** Si el agua la proporciona la municipalidad, entonces la presión del agua debe ser mayor que 1.4 bar (20 psi) y menor que 7 bar (120 psi). Si el agua es de pozo, entonces la presión del agua debe ser mayor que 2.8 bar (40 psi) y menor que 7 bar (120 psi).

**Temperatura del agua:** No menor que 4 °C (40 °F) o mayor que 49 °C (120 °F).

**Caudal del suministro de agua:** Se recomienda un mínimo de 7.6 litros (2.0 galones) por minuto. Para fines del tamaño de las tuberías, solo se puede usar el caudal de servicio y la pérdida de presión de agua correspondiente. El funcionamiento prolongado de un ablandador de agua a caudales que excedan el caudal de servicio probado puede comprometer el rendimiento.

**Drenaje:** Conecte el ablandador de agua a un drenaje adecuado, como un drenaje de piso o un drenaje de lavadora que cumpla con todos los códigos de plomería estatales y locales. Para evitar el sifonaje de aguas residuales al agua de suministro, proporcione un espacio de aire adecuado o un destructor de acción sifónica. (consulte los Pasos de instalación)

**Suministro de alimentación:** El transformador que se proporciona es para un tomacorriente de CA estándar de 110 voltios, 60 ciclos, o un tomacorriente de CA de 220 voltios, 50 ciclos para lugares fuera de Norteamérica.

**Hierro:** Un problema común que se encuentra en muchos suministros de agua es el hierro. Es importante saber qué tipo y cuánto hierro hay en el suministro de agua.

**NOTA:** Si no hay hierro ferroso en su agua, pase a la siguiente página.

## Hierro ferroso

**NOTA:** Si el suministro de agua contiene hierro ferroso, se debe usar un limpiador de lecho de resina disponible en el comercio cada seis meses. Siga las instrucciones del recipiente. Debe aumentar el ajuste de dureza del agua en 86 mg/L (5 granos por galón) por cada 1 mg/L (1 ppm) de hierro ferroso.

Hierro	Descripción
<b>Hierro ferroso (también conocido como hierro de agua clara o hierro disuelto)</b>	El único tipo de hierro que se puede tratar con un ablandador de agua.
<b>Hierro férrico</b>	Insoluble y las partículas pueden finalmente estropear un lecho de resina. Se debe filtrar antes de que el agua alcance el ablandador.
<b>Hierro orgánico o hierro bacteriano</b>	Adheridos a otros compuestos orgánicos en el agua. Se necesita tratamiento adicional para eliminar este tipo de hierro.
<b>Hierro coloidal</b>	No disuelto, se mantiene en suspensión. Un ablandador no puede eliminar este tipo de hierro.

## Determine su dureza compensada

La dureza compensada es la cantidad de hierro ferroso presente en el agua, además de su contenido de dureza.

Para determinar la dureza compensada en mediciones estándar, debe aumentar el ajuste de dureza del agua en 86 mg/L (5 granos por galón) por cada 1 mg/L (1 ppm) de hierro ferroso.

Use la siguiente sección para orientarse y completar la tabla en blanco a continuación para determinar su dureza compensada.

Use esta tabla en blanco para determinar su dureza compensada con las mediciones estándar.

Descripción	Resultados
<b>Dureza real (use los resultados de prueba de dureza)</b>	
<b>Hierro ferroso (x5 para estándar) o (x86 para métrico)</b>	+
<b>Dureza compensada (sume los dos primeros resultados para obtener el resultado final)</b>	=

## Ejemplo estándar

Este ejemplo usa 3 (mg/L o ppm) de hierro ferroso presente en el agua.

Descripción	Resultados
<b>Dureza real</b>	20 (gpg)
<b>*Hierro ferroso por cinco (x5)</b>	15
<b>Dureza compensada (20+15)</b>	35
<small>*Sume cinco veces (x5) el contenido de hierro en ppm o mg/L a la dureza real</small>	

## Ejemplo métrico

Este ejemplo usa 3 (mg/L o ppm) de hierro ferroso presente en el agua.

Descripción	Resultados
<b>Dureza real</b>	342 (mg/L)
<b>*Hierro ferroso por ochenta y seis (x86)</b>	258
<b>Dureza compensada (342+258)</b>	600
<small>*Sume ochenta y seis veces (x86) el contenido de hierro en ppm o mg/L a la dureza real</small>	

Para aprovechar al máximo y obtener el mejor rendimiento de su ablandador de agua, familiarícese con el manual. Si este dispositivo no se mantiene y opera como se especifica en el manual del propietario, existe riesgo de exposición a contaminantes.

- El nivel de sal siempre debe estar al menos 1/3 lleno. Rellene la sal cuando el nivel baje del nivel de agua en el gabinete de agua salada. Se puede usar un limpiador de resina mensualmente. Se recomiendan pellets blancos limpios en cubos o sal solar. **No use sal de roca.**

**NOTA:** No mezcle distintos tipos de sal.

- Puede usar un sustituto de sal (como cloruro de potasio) en lugar de sal acondicionadora de agua. Si se usa cloruro de potasio en lugar de la sal, multiplique la dureza compensada por 1.12.

**NOTA:** No use cloruro de potasio si hay hierro o manganeso en el agua.

- Si se cortara la electricidad por cualquier motivo, verifique que el controlador tenga la hora correcta y restablezca según sea necesario. (consulte Configuración del controlador en la página 36)
- Programe el ablandador de agua para que se regenere cuando no se esté usando agua. Si hay más de un artefacto de agua, permita que pasen dos horas entre cada regeneración.
- Si hay suciedad, arena o partículas grandes en el suministro de agua, el filtro independiente del ablandador de agua eliminará parte de la suciedad y los sedimentos.

- Se puede desinfectar el ablandador de agua con hipoclorito de sodio al 5.25%, que es el ingrediente activo en el blanqueador con cloro doméstico. Para desinfectar el artefacto, agregue 120 mL (4.0 onzas líquidas) de solución de blanqueador con cloro al pozo del tanque de agua salada. El tanque debe tener agua. También puede agregarla directamente al gabinete de agua salada si no hay sal y hay solo agua en el gabinete. Inicie una regeneración manual.

#### ⚠ ADVERTENCIA:

##### REACCIÓN QUÍMICA TÓXICA

No mezcle blanqueador con limpiadores de resina comerciales, ya que puede ocurrir una reacción química peligrosa. La mezcla es altamente ácida y puede causar quemaduras graves si tiene contacto con la piel. La inhalación de una reacción química tóxica puede causar pérdida de conciencia.

- Proteja el ablandador de agua, incluso la tubería de drenaje, contra la congelación.
- La válvula de derivación (acoplada a la válvula de control principal) le permite derivar el ablandador de agua en caso de que se realicen trabajos en él, la bomba del pozo o las tuberías. También, use el modo de derivación para regar plantas o céspedes con agua sin tratar. Para derivar, gire la perilla gris hacia la izquierda hasta que llegue al tope; gírela hacia la derecha para restaurar el servicio. (consulte Información general de la válvula de derivación)
- Antes de volver a colocar el ablandador de agua en servicio después de realizar trabajos, abra la llave de agua fría más cercana hasta que el agua salga limpia.
- Obedezca todos los requisitos de operación, mantenimiento y ubicación.
- Inspeccione y limpie el tanque de agua salada y el conjunto de tubos de revisión y extracción de aire anualmente o cuando haya sedimentos en el tanque de agua salada.

### Haga lo siguiente

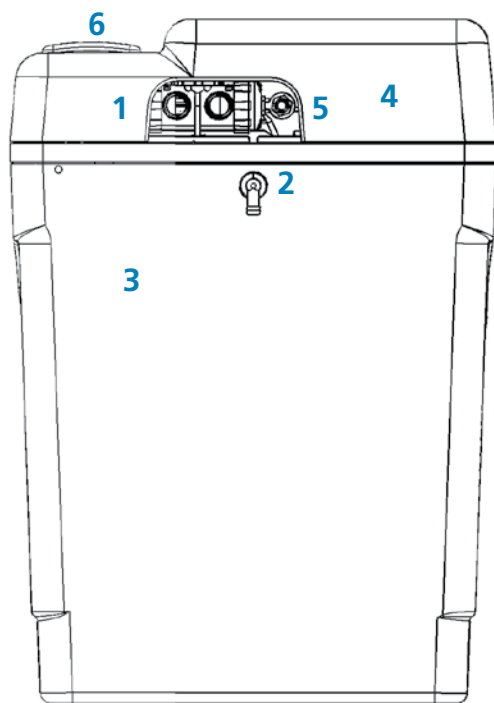
- Cumpla con todos los códigos eléctricos, de plomería y de construcción estatales y locales.
- Pruebe la calidad del agua con las tiras que se proporcionan. De manera opcional, obtenga un informe acerca de la calidad del agua.
- Instale el ablandador de agua antes del calentador de agua.
- Instale el ablandador de agua después del tanque de presión en instalaciones de agua de pozo.
- Instale una válvula reductora de presión si la presión de entrada excede los 4.8 bar (70 psi).
- Examine la tubería de entrada para asegurarse de que el agua fluirá libremente y confirme que el tamaño de la tubería de entrada sea correcto. Para agua de pozo con hierro, el tamaño mínimo de tubería de entrada recomendado es de 1.9 cm (3/4") de diámetro interior, mientras que para el agua municipal, el tamaño mínimo de tubería de entrada recomendado es de 1.27 cm (1/2") de diámetro interior.
- Instale un drenaje por gravedad en el gabinete.
- Fije la tubería de drenaje en el ablandador de agua y en la salida de drenaje. Debido a la alta presión, se recomienda el uso de abrazaderas en la tubería de drenaje. (consulte los Pasos de instalación)
- Deje un mínimo de 2.4 a 3.0 m (8 a 10') de tubería de 1.9 cm (3/4") desde la salida del ablandador de agua hasta la entrada del calentador de agua.

### No haga lo siguiente

- Instale si no se cumplen los puntos de la lista de verificación. (consulte Lista de verificación previa a la instalación)
- Instale si la temperatura del agua en las tuberías de entrada o salida excede los 49 °C (120 °F). (consulte Especificaciones)
- Permita que el calor del soplete para soldar se transfiera a los componentes de la válvula o a las piezas plásticas cuando use adaptadores de cobre opcionales.
- Apriete en exceso los conectores de plástico. Los conectores se pueden obtener en Lowe's.
- Ubique el ablandador de agua contra una pared que impida el acceso a las tuberías. (consulte los Pasos de instalación)
- Instale el ablandador de agua hacia atrás. Consulte las flechas de la entrada y la salida para instalar correctamente.
- Enchufe el transformador en un tomacorriente activado con un interruptor de Encendido/Apagado.
- Conecte las tuberías de drenaje y de rebosa (drenaje por gravedad) juntas.
- Use para tratar agua que no sea microbiológicamente segura o cuya calidad sea desconocida sin la desinfección adecuada antes o después de usarla en el ablandador de agua.
- Permita que el ablandador de agua o la tubería de drenaje se congelen.



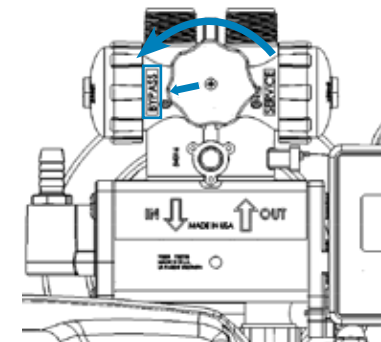
	Pieza
1	Válvula de derivación
2	Conexión de flujo por gravedad
3	Gabinete de agua salada
4	Tapa
5	Conector de tubería de drenaje
6	Carcasa del controlador



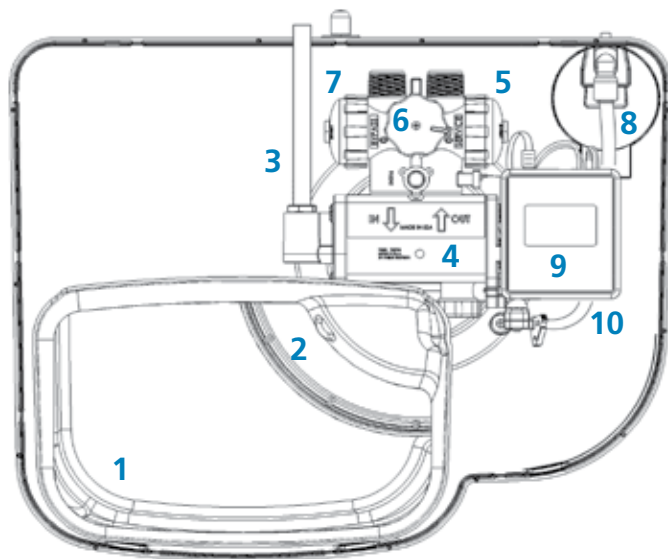
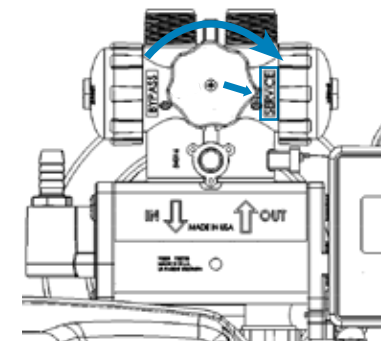
La válvula de derivación puede aislar el artefacto si funciona mal o tiene fugas. También puede permitir el uso de agua no tratada para regar plantas, arbustos o céspedes.

La válvula de derivación está acoplada a la válvula de control principal. Para activar la válvula de derivación, ubique la perilla gris sobre la válvula de derivación. Gírela hacia la izquierda hasta que llegue al tope. El artefacto se derivará y toda el agua hacia la casa será agua no potable y no tratada. Para evitar que el agua no tratada ingrese a su hogar, no se debe usar el agua dentro del hogar cuando el artefacto esté en modo de derivación. Asegúrese de que el artefacto vuelva al modo de servicio cuando se repare o cuando termine el uso de agua no tratada; para esto, gire la perilla gris hacia la derecha hasta que llegue al tope.

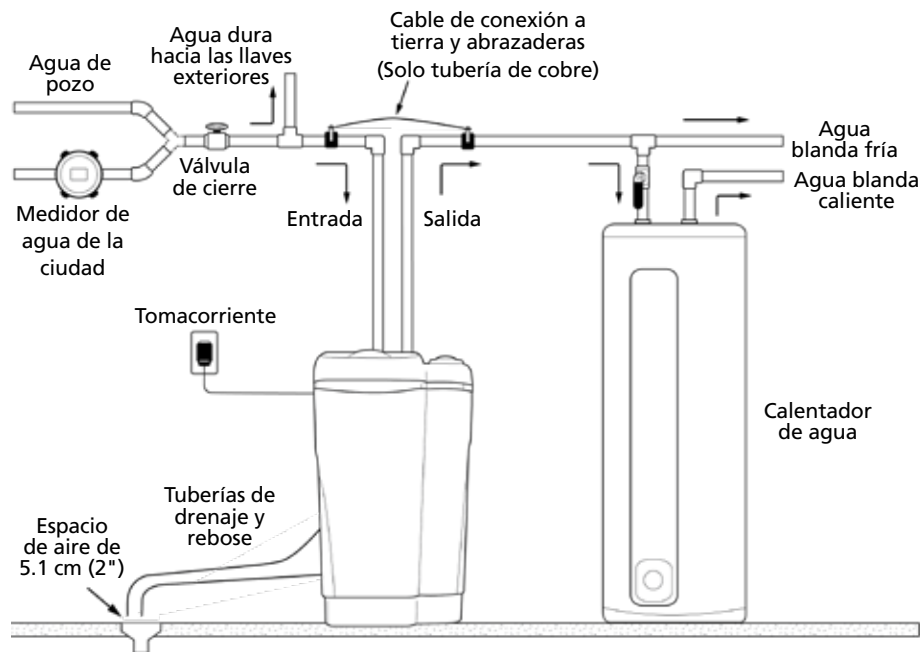
#### Posición de derivación



#### Posición de servicio



	Pieza
1	Gabinete de agua salada
2	Tanque de material
3	Tubería de drenaje
4	Válvula de derivación
5	Posición de derivación
6	Perilla de derivación
7	Posición de servicio
8	Cierre de seguridad
9	Controlador
10	Tubería de agua salada



**NOTA:** No cumplir con estas especificaciones puede disminuir la eficacia de la contracorriente y causar el funcionamiento indebido de la válvula de control. El ablandador de agua, como cualquier otro artefacto, requiere la instalación y el ajuste correctos para un rendimiento óptimo.

#### ⚠ ADVERTENCIA



#### PELIGRO DE DESCARGA ELÉCTRICA

Antes de la instalación en tuberías metálicas, instale firmemente las dos abrazaderas de conexión a tierra y un alambre de cobre n.º 4 según las instrucciones de instalación.

## 1 Prepare el artefacto

Retire todos los materiales de empaque o instalación del gabinete de agua salada.

## 2 Prepare el área de instalación

- 1 Asegúrese de que el área de instalación esté limpia.
- 2 Corte la electricidad y el suministro de agua fría hacia el calentador de agua. Para calentadores de agua a gas, gire la llave de gas a "Pilot" (Piloto).
- 3 Examine la tubería de entrada para asegurarse de que no esté obstruida con sarro, hierro u otras sustancias. Limpie o reemplace las tuberías obstruidas.

**NOTA:** Se necesita una tubería de 3/4" como mínimo entre el tanque de presión y el ablandador de agua para que funcione correctamente. Esta nota solo se aplica al agua de pozo, no al agua de ciudad.

Asegúrese de que las conexiones de entrada/salida y drenaje cumplan con los códigos locales y estatales correspondientes.

Revise las flechas en la válvula de derivación para asegurarse de que el agua fluya en la dirección correcta. (consulte Información general de la válvula de derivación)

**NOTA:** No instale el ablandador de agua hacia atrás.

## 3 Cierre el suministro de agua

- 1 Cierre el suministro de agua.
- 2 Abra las llaves de agua fría y caliente para despresurizar las tuberías.

Coloque el ablandador de agua en la ubicación deseada con el diagrama de configuración del sistema como guía. El diagrama se aplica a instalaciones en sótano, losa, semisótano y en exteriores.

Para la mayoría de las instalaciones, instale el artefacto después del tanque de presión y cualquier artefacto de filtro de agua o medidor de agua, y antes del calentador de agua, a menos que se recomiende lo contrario. Cuando instale filtros adicionales, como un filtro de carbón para agua de pozo, coloque el filtro después de cualquier artefacto de acondicionamiento de agua, a menos que se recomiende lo contrario.

Calentadores de agua: Si menos de 3 m (10') de tubería conectan los artefactos de tratamiento de agua al calentador de agua, instale una válvula de retención entre el artefacto de tratamiento de agua y el calentador de agua, lo más cerca posible de este último. También se puede usar un tanque de expansión. Asegúrese de que el calentador de agua tenga una válvula de alivio de seguridad de temperatura y presión con la clasificación adecuada.

**NOTA:** Se recomienda encarecidamente cubrir la unidad si se instala en exteriores.

## 4 Conecte las tuberías de agua

Conecte las tuberías de agua de acuerdo con todos los códigos eléctricos, de plomería y de construcción estatales y locales. Los conectores para las válvulas en la parte posterior de la unidad son de 1" MNPT. Se pueden conectar al suministro de plomería de su hogar con una variedad de conectores (se venden por separado). Puede conectar el ablandador con tuberías de CPVC, PEX o cobre. Si usa conectores de cobre, no permita que el soplete para soldar derrita las roscas de plástico de la válvula.

## 5 Realice la conexión de rebose por gravedad

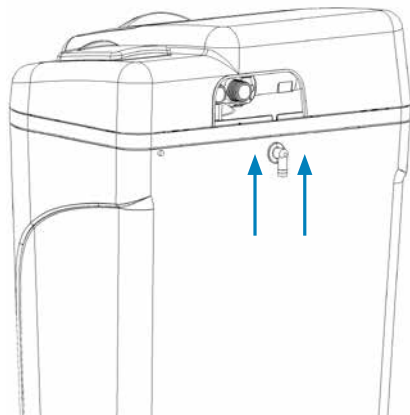
La tubería de rebose drena el exceso de agua, en caso de que el gabinete se llene en exceso o el ablandador de agua funcione indebidamente. (consulte Codo de rebose por gravedad) Asegúrese de que el codo de rebose esté en posición hacia abajo.

Conecte un tubo de 1.27 cm (1/2") de diámetro interior (no se puede reducir el tamaño) entre el conector de rebose y un drenaje de piso, un lavadero u otro receptáculo para desechos adecuado.

Nota: Este tubo no se proporciona con el ablandador de agua. Asegúrese de que la tubería de rebose termine en un drenaje que esté, al menos, 8 cm (3") más abajo que la parte inferior del conector de rebose.

Mantenga un espacio de aire de 5 cm (2") como mínimo entre la tubería de rebose y el borde de nivel de rebose en el receptor de desechos para evitar el sifonaje de aguas residuales al agua de suministro. La tubería por gravedad no se puede tender elevada.

### Codo de rebose por gravedad



NOTA: Evite que la tubería de drenaje se tuerza, pliegue o se restringa de algún modo.

## 6 Conecte la tubería de drenaje

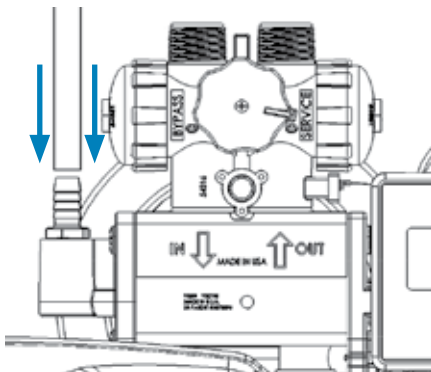
La tubería de drenaje se lleva el agua de contracorriente como parte del ciclo de regeneración.

1 Conecte la tubería de drenaje a la tapa del extremo de drenaje (consulte Conecte la tubería de drenaje) con un tubo de un diámetro interior de 1.27 cm (1/2") (se proporciona). No se puede reducir el tamaño. Nota: Si usa cinta de PTFE o masilla de plomero, atornille el conector de drenaje roscado en la tapa del extremo de drenaje.

2 Tienda la tubería de drenaje hacia un drenaje de piso, lavadero u otro receptáculo de desechos adecuado. Mantenga un espacio de aire de 5 cm (2") como mínimo entre la tubería de drenaje y el borde de nivel de rebose en el receptáculo de desechos para evitar el sifonaje de aguas residuales al agua de suministro. La tubería de drenaje debería estar lo más cerca posible del drenaje.

3 La tubería de drenaje se puede elevar hasta 2.4 m (8') desde la descarga en el ablandador de agua si la presión de agua del sistema es de 2.8 bar (40 psi) o más.

### Conecte la tubería de drenaje



4 Si la tubería de drenaje es de 7.6 m (25 pies) o más, aumente el diámetro interior de la tubería de drenaje a 3/4". El final de la tubería de drenaje debe estar a igual altura o más bajo que la válvula de control.

NOTA: Es posible que se necesite una abrazadera para manguera para afirmar la tubería de drenaje en su lugar.

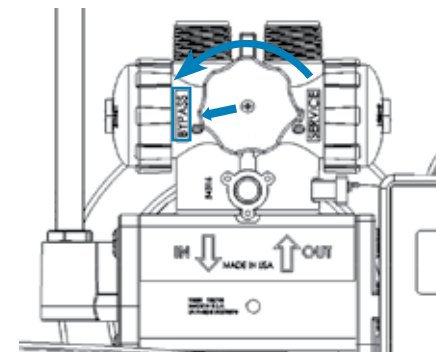
## 7 Purgue las tuberías

1 Coloque el ablandador de agua en posición de derivación. Abra el suministro principal de agua.

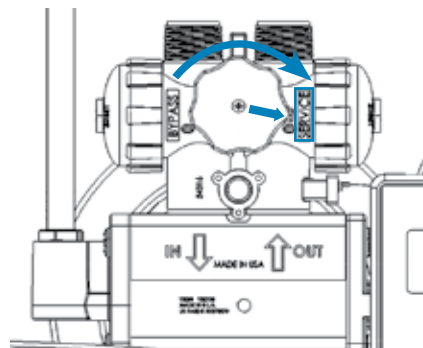
2 Abra la llave de agua fría más cercana para purgar el exceso de fundente para soldar, aire u otros materiales extraños de las tuberías. Coloque el ablandador de agua nuevamente en posición de servicio.

NOTA: Para evitar que el agua sin tratar ingrese a su hogar, evite usar agua al interior de su hogar cuando el ablandador de agua esté en posición de derivación. Recuerde volver a la posición de servicio cuando haya terminado de purgar el sistema o de utilizar agua no tratada.

### Posición de derivación



### Posición de servicio



## 8 Revise si hay fugas

Cierre todas las llaves. Revise si hay fugas en todas las tuberías y conexiones.

Si se encuentran fugas:

- Cierre el suministro principal de agua.
- Abra la llave de agua fría para despresurizar las tuberías.
- Cierre la llave para eliminar cualquier acción de sifonaje.
- Repare todas las fugas.
- Abra el suministro principal de agua.
- Coloque la válvula de derivación en posición de servicio para llenar lentamente el tanque de material. (consulte la imagen)
- Abra la llave de agua fría para purgar el aire del tanque de material.
- Cierre la llave y vuelva a revisar si hay fugas.

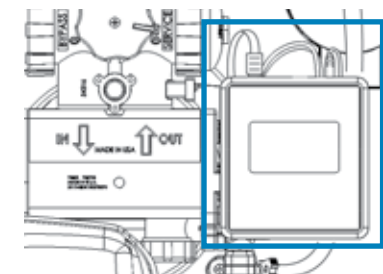
## 9 Enchufe el transformador

1 Asegúrese de que el cable del sensor y el cable del motor estén conectados, y luego enchufe el cable de alimentación del transformador en la parte posterior del controlador. (consulte Conexión de la alimentación)

2 Enchufe el transformador en un tomacorriente adecuado. Asegúrese de que el tomacorriente seleccionado no funcione con un interruptor de Encendido/Apagado.

3 Programe el controlador del ablandador de agua en el siguiente paso.

### Conexión de la alimentación



## 10 Configuración del controlador

- 1 En la pantalla de inicio, presione el botón "MENU" (Menú).
- 2 En la pantalla Main Menu (Menú principal), presione el botón de "Hardness" (Dureza).
- 3 En la pantalla Water Hardness (Dureza del agua), presione el botón "+" para aumentar la dureza, o el botón "-" para disminuir la dureza.
- 4 Presione el botón "ACCEPT" (Aceptar) para guardar el valor y volver a la pantalla Main Menu.
- 5 Presione el botón "BACK" (Volver) para volver a la pantalla de inicio.

La pantalla Main Menu tiene otras opciones si elige cambiar los ajustes predeterminados de fábrica. Según el modelo no se aplican todas las opciones. El controlador solo debe mostrar las opciones disponibles para el modelo para el que se programaron.

### Menú principal

#### Ajustes de pantalla:

Units (Unidades): Alterna entre unidades métricas e imperiales  
 Time (Hora): Ajusta la hora del día actual  
 Regen Time (Tiempo de regeneración): Ajusta el tiempo de regeneración

#### Ajustes de regeneración:

Type (Tipo): Alterna entre High Efficiency (Alta eficiencia), High Capacity (Alta capacidad) o Automatic (Automático)  
 Mode (Modo): Alterna entre Delayed (Retrasado) o Demand (Demanda)  
 Override (Anular): Alterna entre 96 Hours (96 horas) o None (Ninguno)

#### Alarm Settings (Ajustes de alarma):

Nivel bajo de sal: Alterna entre On (Activado) y Off (Desactivado)  
 Temperatura baja: Alterna entre On (Activado) y Off (Desactivado)

#### Wi-Fi Settings (Ajustes de Wi-Fi):

Privacy Policy Consent (Consentimiento de Política de privacidad): El usuario debe decir Yes (Sí) para acceder a las siguientes pantallas.  
 Status (Estado): Connected (Conectado) o Not Connected (No conectado)  
 Network (Red): Seleccione el nombre de la red de una lista o seleccione manualmente la SSID de red  
 Password (Contraseña): Ingrese la contraseña  
 IP Address (Dirección IP): Ingrese una dirección IP  
 Email Address (Dirección de correo electrónico): Agregue una dirección de correo electrónico  
 Nivel bajo de sal: Cuando el controlador determine que el nivel de sal es bajo, aparecerá una pantalla de alerta y

el controlador emitirá un pitido. El usuario presionará el botón "OK" (Bien) para silenciar el pitido. Además, si usa controladores Wi-Fi, se enviará un correo electrónico. El icono de nivel de sal en la pantalla de inicio mostrará "ADD" (Agregar) parpadeando. Cuando el usuario presiona el icono de nivel de sal, aparecerá la pantalla Salt Level (Nivel de sal). Cuando se agrega sal, el usuario indicará cuánta sal hay en el gabinete y presionará el botón "ACCEPT" (Aceptar). El controlador se restablecerá para mostrar Salt Level = OK. Temperatura baja: Cuando el controlador detecte temperaturas cercanas a la congelación (bajo 4 °C [40 °F]), aparecerá una pantalla de alerta y el controlador emitirá un pitido. El usuario presionará el botón "OK" para silenciar el pitido. Además, si usa controladores Wi-Fi, se enviará un correo electrónico. Cuando la temperatura se eleva sobre el umbral de temperatura baja, el controlador restablecerá automáticamente la alarma y detendrá el pitido.

#### Regeneración manual:

El usuario puede mantener presionado el botón "REGEN" (Regenerar) para forzar una regeneración inmediata. El botón "NEXT" (Siguiente) que aparece en la pantalla permite que el usuario avance el ciclo a la siguiente posición.

#### Restablecimiento de fábrica:

En la pantalla Main Menu hay un botón etiquetado "RESET" (Restablecer). Presionar este botón muestra la pantalla Restore Defaults (Restaurar valores predeterminados). Presionar "Yes" devolverá el controlador a los ajustes predeterminados de fábrica.

## 11 Agregue agua al gabinete de agua salada

- 1 Agregue 19 L (5 galones) de agua al gabinete de agua salada. Después de la primera regeneración, el artefacto rellenará automáticamente la cantidad correcta de agua en el gabinete de agua salada.
- 2 Asegúrese de que el artefacto esté en posición de servicio y que su suministro de agua esté abierto.
- 3 Continúe presionando y soltando el botón de regeneración hasta que el controlador avance hasta la posición de Relleno de agua salada (04).

Permita que el tanque se llene con la cantidad adecuada de agua. Entonces, el controlador moverá la válvula a la posición de inicio.

**NOTA:** Este arranque inicial es la única vez que agregará agua al gabinete de agua salada. No agregue agua en ningún otro momento.

## 12 Llne el gabinete de agua salada con sal

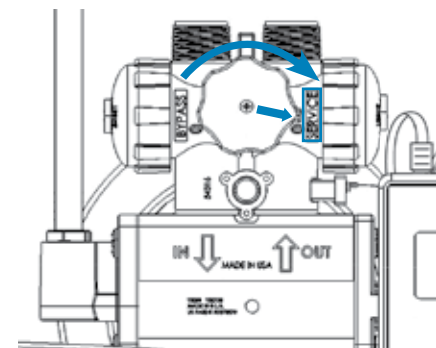
Llene el gabinete de agua salada con sal. Use pellets blancos limpios en cubos o sal solar. No mezcle pellets con sal solar.

**NOTA:** Siempre mantenga el nivel de sal sobre el nivel del agua. Para su comodidad, llene 3/4 del tanque cuando rellene con sal.

Si el nivel de sal estaba bajo el nivel del agua antes de agregar sal, espere dos (2) horas que se empape la sal antes de comenzar la regeneración.

**NOTA:** No se recomienda el uso de cloruro de potasio cuando haya hierro o manganeso en el suministro de agua no potable.

### Posición de servicio



## 13 Complete la instalación

- 1 Asegúrese de que la derivación quede en posición de servicio. (consulte Posición de servicio arriba)
- 2 Asegúrese de que el suministro de agua esté abierto.
- 3 Abra la válvula de entrada y encienda la electricidad hacia el calentador de agua. Para calentadores de agua a gas, devuelva la llave de gas a "On" (Encendido).
- 4 Abra la llave de agua fría y permita que el ablandador de agua se purgue durante 20 minutos o hasta que hayan pasado aproximadamente 270 L (72 galones). Este proceso es necesario para cumplir con las normas de NSF. Verifique que el controlador indique el flujo de agua. (consulte Configuración del controlador)
- 5 Coloque la tapa en el gabinete.

Problema	Causa posible	Solución
<b>No hay agua blanda después de la regeneración</b>	No hay sal en el gabinete de agua salada.	Agregue sal.
	Los sedimentos en el gabinete de agua salada han obstruido la tubería de agua salada y el tubo de revisión y extracción de aire.	Retire la tubería de agua salada y enjuáguela. Retire el tubo de revisión y extracción de aire y enjuáguelo con agua limpia. Limpie el conjunto de inyector. Limpie los sedimentos del gabinete de agua salada.
	El control de flujo está obstruido.	Retire la carcasa del pistón de agua salada y limpie los residuos del control de flujo.
	La tubería de drenaje está apretada, congelada o restringida.	Enderece, descongela o destape la tubería de drenaje.
	Conjunto de inyector obstruido.	Retire la tapa del inyector y limpie la boquilla y la garganta con un mondadientes de madera. Cambie todo el conjunto si se retira la garganta.
<b>No hay agua blanda</b>	Se formó un puente de sal debido a la alta humedad o al tipo incorrecto de sal.	Pruebe con un objeto romo, como un palo de escoba. Empuje el palo en la sal para quitar el puente de sal, o use agua caliente alrededor del perímetro interior para soltar la sal.
	La válvula de derivación está en posición de derivación.	Coloque la válvula de derivación en la posición de servicio.
	El artefacto está conectado hacia atrás.	Revise que el artefacto esté conectado correctamente.
	Corte de energía prolongado.	Restablezca la hora del día y regenere la unidad.
	Aumentó la dureza del agua.	Vuelva a probar el agua y vuelva a ingresar un nuevo número de ajuste.
<b>No se mide el agua.</b>	No se mide el agua.	El flujo se debe indicar con el consumo de agua. Si no hay flujo, consulte a continuación.
	La válvula de derivación está en posición de derivación.	Coloque la válvula de derivación en la posición de servicio.
	El artefacto está conectado hacia atrás.	Revise que el artefacto esté conectado correctamente.
	El sensor no recibe señal del imán en la turbina.	Retire el sensor de la carcasa de derivación. Pruebe con el imán en cada lado plano del sensor. Si se indica flujo, revise la turbina. Si no hay flujo, cambie el sensor.
<b>No se indica flujo cuando fluye el agua</b>	La turbina está atascada.	Retire la válvula de derivación y limpie los residuos de la turbina.
	El sistema de plomería doméstico tiene una fuga.	Repare la fuga.
<b>Se indica flujo cuando el agua no está en uso</b>	El cable eléctrico está desenchufado.	Enchufe el transformador.
	No hay energía eléctrica en el tomacorriente.	Revise la fuente de alimentación. Asegúrese de que el tomacorriente no se controle con un interruptor.
	Transformador defectuoso.	Pruebe con un voltímetro si hay 12 V CA en el control. Si hay menos de 10 V CA, reemplace el transformador.
	Placa de circuitos defectuoso.	Con 12 V CA en el controlador, reemplace el controlador.

Problema	Causa posible	Solución
<b>El artefacto se mantiene en regeneración</b>	El controlador no está instalado adecuadamente.	Asegúrese de que el controlador esté completamente instalado en la placa de cubierta.
	Disco magnético defectuoso.	Reemplace el disco magnético.
	Objeto extraño en la válvula de control principal.	Retire los objetos extraños de la válvula de control principal.
	Conjunto de válvula roto. El motor está funcionando.	Repare el conjunto de válvula.
<b>Exceso de agua en el tanque de agua salada</b>	Tubería de drenaje restringida, congelada o apretada.	Retire la restricción, descongela o enderece la tubería de drenaje.
	Conecte la tubería de agua salada, el control de flujo de la tubería de agua salada o el tubo de revisión y extracción de aire.	Limpie el control de flujo, el tubo de revisión y extracción de aire y la tubería de agua salada. Limpie los sedimentos del gabinete de agua salada.
	Conjunto de inyector obstruido.	Limpie o reemplace el inyector. Cambie todo el conjunto si se retira la garganta.
<b>Agua salada</b>	Inyector obstruido.	Reemplace la rejilla, la boquilla y la garganta del inyector.
	Baja presión de agua.	Mantenga una presión mínima de 2.1 bar (30 psi).
	La tubería de drenaje o el control de flujo están restringidos.	Retire la restricción.
	Tubería de agua salada restringida o plegada.	Retire la restricción; reemplace si está plegada.
	Cantidad excesiva de agua en el gabinete de agua salada.	Verifique el nivel correcto de agua en relación con el ajuste de sal. La cantidad aproximada de agua debería ser de 5 a 30 cm (2 a 12"). Revise si hay conexiones sueltas en la tubería de agua salada y los conectores.
	Reducción de presión intermitente desde la fuente de alimentación.	Instale la válvula de retención en la tubería de agua de entrada hacia el artefacto (revise primero los códigos de plomería locales).
<b>Mensajes de error del controlador</b>	La válvula de agua salada gotea de vuelta hacia el tanque de agua salada.	Limpie la carcasa de la válvula de agua salada, reemplace el conjunto de pistón.
	"E1" No se encontró el inicio.	Para realizar un ciclo de energía, desenchufe y vuelva a enchufar el transformador. Buscará el inicio nuevamente. Asegúrese de que el controlador esté completamente instalado en la placa de cubierta.
	"E2" Error del motor.	Se deben desenchufar y volver a enchufar todos los cables; la secuencia es motor, sensor y cable de alimentación. Enchufe el motor y realice un ciclo de energía. Si ya está enchufado, entonces el cableado del motor o el enchufe del motor están defectuosos. Esto también podría ser un problema con la computadora.
	"E3" Compensación de inicio.	El disco no inició en la ubicación de inicio adecuada. Realice un ciclo de energía, el controlador automáticamente intentará encontrar el inicio para restablecerse y continuará la regeneración. Asegúrese de que el controlador esté completamente instalado en la placa de cubierta.
	"E4" Inicio bloqueado.	Los dientes del engranaje no están enganchados, el engranaje está desgastado o hay algo atascado en la válvula. Realice un ciclo de energía para restablecer.
"E5" Error de memoria.	Reemplace el controlador.	

La eficacia de este producto está clasificada según la norma NSF/ANSI 44. Las eficacias declaradas son válidas solo con la dosis de sal especificada 26.5 L/min (7.0 gpm):

Modelo	Eficacia nominal	Dosis de sal	Capacidad con esa dosis
AO-WH-SOFT-450T	5,210 grains/lb (742 grams/kg)	1.25 lb (0.57 kg)	6,510 grains (422 grams)
AO-WH-SOFT-PRO-300	5,210 grains/lb (742 grams/kg)	1 lb (0.45 kg)	5,210 grains (338 grams)
AO-WH-SOFT-PRO-500	5,210 grains/lb (742 grams/kg)	1.66 lb (0.75 kg)	8,650 grains (561 grams)

Un ablandador de agua con clasificación de eficacia es un ablandador de regeneración iniciada por demanda que también cumple con las especificaciones de rendimiento específicas, diseñado para minimizar la cantidad de agua salada regenerante y de agua que se usa en la operación.

Los ablandadores de agua con clasificación de eficacia tienen una eficacia de sal nominal no inferior a 477 gramos de intercambio de dureza total por kilogramo de sal (según la equivalencia de NaCl) (3350 granos de intercambio de dureza total por libra de sal), y no deberá entregar más sal que su clasificación indicada.

La eficacia se mide mediante una prueba de laboratorio descrita en NSF/ANSI 44. La prueba representa la eficacia máxima posible que puede alcanzar el sistema. La eficacia operativa es la eficacia real que se alcanza después de la instalación del sistema. Generalmente, es menor que la eficacia debido a factores de la aplicación en particular, como la dureza del agua, el consumo de agua y otros contaminantes que reducen la capacidad del ablandador.

### Capacidades de reducción para contaminantes específicos

Nombre de la sustancia	Nivel máx. de contaminante (USEPA)	Nivel de concentración máxima de ingreso
Barium	2.0 mg/L	10 +/- 10% mg/L
Radium 226/228	5 pCi/L	226/228: 25 pCi/L

### Rango de sal y capacidad

Modelo	Capacidad/sal mínima	Capacidad/sal media	Capacidad/sal máxima
AO-WH-SOFT-450T	6,510 grains/1.25lb	35,960 grains/10 lb	45,000 grains/18.75lb
AO-WH-SOFT-PRO-300	5,210 grains/1lb	20,360 grains/5 lb	30,000 grains/9lb
AO-WH-SOFT-PRO-500	8,650 grains/1.66lb	33,410 grains/8lb	50,000 grains/15lb

Número de pieza de la unidad	AO-WH-SOFT-450T	AO-WH-SOFT-PRO-300	AO-WH-SOFT-PRO-500
Especificación	Ablandador de agua con capacidad de 45,000 granos	Ablandador de agua con capacidad de 30,000 granos para agua de ciudad	Ablandador de agua con capacidad de 50,000 granos
Capacidad máxima: granos	45,000	30,000	50,000
Dureza compensada máxima: mg/L (gpg)	1712 (100)	1540 (90)	1883 (110)
Reducción máxima de hierro ferroso: ppm 5,6	10	0	10
pH mínimo: unidades estándar	7	7	7
Cloro máximo: ppm	0	3	0
Temperatura mínima y máxima del agua y ambiente: °C (°F)	4/49 (40/120)	4/49 (40/120)	4/49 (40/120)
Presión mínima y máxima del agua: bar (psi)	1.4/8.3 (20/120)	1.4/8.3 (20/120)	1.4/8.3 (20/120)
Caudal máximo hacia el drenaje durante la regeneración: L/min (gpm)	7.6 (2)	7.6 (2)	9.1 (2.4)
Caudal mínimo para contracorriente: L/min (gpm)	7.6 (2)	7.6 (2)	9.1 (2.4)
Reducción del caudal de servicio (a 1.0 bar [15 psi]): L/min (gpm)	30.3 (8)	34.5 (9.1)	26.5 (7)
Ajuste de sal de alta eficacia: kg/gramos eliminados (lb/granos eliminados)	2.3/1400 (5/21,600)	1.4/868 (3/13,400)	2.7/1710 (6/26,400)
Ajuste de sal de alta eficacia: Duración total de la regeneración: min/L (min/gal)	35/98 (35/26)	27.5/80 (27.5/21)	42.5/114 (42.5/30)

Número de pieza de la unidad	AO-WH-SOFT-450T	AO-WH-SOFT-PRO-300	AO-WH-SOFT-PRO-500
Ajuste de sal de alta capacidad: kg/gramos eliminados (lb/granos eliminados)	4.1/2170 (9/33,600)	3.2/1685 (7/26,000)	4.5/2560 (10/39,500)
Ajuste de sal de alta capacidad: Duración total de la regeneración: min/L (min/gal)	40/114 (40/30)	33/95 (33/25)	48/129 (48/34)
Duración total de la regeneración (ajuste de fábrica): min/L (min/gal)	35/98 (35/26)	27.5/80 (27.5/21)	42.5/114 (42.5/30)
Tipo de controlador	pantalla táctil a color de 2.8"	pantalla táctil a color de 2.8"	pantalla táctil a color de 2.8"
Clasificación eléctrica	220 V, 60 Hz	220 V, 60 Hz	220 V, 60 Hz
Conexiones de plomería (NPT)	1" NPT macho	1" NPT macho	1" NPT macho
Almacenamiento de sal: kg (lb)	90 (200)	90 (200)	90 (200)
Altura: cm (pulg.)	100 (39.5)	100 (39.5)	100 (39.5)
Espacio utilizado: cm (pulg.)	57.8 x 46 (22.8 X 18.1)	57.8 x 46 (22.8 X 18.1)	57.8 x 46 (22.8 X 18.1)
Peso de envío (aprox.): kg (lb)	55 (120)	52 (115)	66 (145)
Ultra-Fil: kg (lb)	0.7 (1.5)	0.7 (1.5)	0.7 (1.5)
Carbón: kg (lb)	0	3.2 (7)	0
Resina de malla fina: L (ft³)	35.4 (1.25)	28.3 (1)	47 (1.66)

## GARANTÍA

5/10  
AÑOS

## LIMITADA

**Lo que está cubierto:** Esta garantía cubre defectos en materiales o en la mano de obra de la fabricación de su sistema de A. O. Smith, se excluye el material, salvo según se estipula a continuación.

**Duración:** Esta garantía dura por cinco (5) años desde la fecha de compra por parte de un consumidor para las piezas mecánicas y electrónicas, y por diez (10) años desde la fecha de compra por parte de un consumidor para el tanque de material o válvula de control principal y el gabinete de agua salada ("Período de garantía").

**Lo que no está cubierto:** La garantía limitada que se indica en este documento reemplaza cualquiera y todas las garantías, expresas o implícitas, ya sea por escrito o en forma oral, lo que incluye, entre otras, las garantías implícitas de idoneidad para un propósito en particular o la garantía implícita de comerciabilidad.

Esta garantía no cubre daños causados por instalación, mantenimiento u operación incorrectos. El sistema se debe instalar, debe recibir mantenimiento y se debe operar de acuerdo con las instrucciones que se proporcionan en el manual y con todos los códigos y reglamentos de plomería y eléctricos correspondientes. Tampoco cubre lo siguiente:

- Daños indirectos o consecutivos a causa de una falla del producto.
- Obstrucción.
- Daño producto de uso de suministros de agua no potable.
- Costos de mano de obra para instalar o reemplazar el sistema o los filtros.
- Daño producto de incendios, inundaciones o casos fortuitos.
- Se anulará esta garantía si el producto se usa con piezas que no sean originales de A. O. Smith.
- El material no tiene garantía y A. O. Smith no garantiza las capacidades de tratamiento de agua más allá de las representadas específicamente. Se debe tratar el agua que contenga arena, hierro bacteriano, algas, azufre, taninos, materia orgánica u otras sustancias inusuales, para eliminar estas sustancias antes de ingresar a este producto.

**Lo que A. O. Smith hará:** Reemplazaremos la pieza defectuosa del producto cubierto o, de ser necesario, el producto y se lo enviaremos con las instrucciones de instalación para que las use un plomero con licencia.

**Cómo obtener el servicio:** Para recibir el servicio conforme a esta garantía, debe comunicarse con A. O. Smith al 1-855-424-9892 o por correo electrónico a AOSmithAtLowe.com/contactus dentro del Período de garantía para describir el problema a un representante de servicio al cliente, el que verificará que el producto esté cubierto por la garantía y determinará si se reemplazará una pieza o el sistema y si es que debe enviar la pieza defectuosa a nuestro cargo. Si debe enviar la pieza o el sistema, le enviaremos una etiqueta de envío de devolución. Deberá proporcionar un comprobante de compra (salvo que nos haya comprado directamente a nosotros o nos haya enviado una Tarjeta de garantía). Le enviaremos la pieza o sistema de repuesto de forma gratuita.

**Cómo se aplica la ley estatal:** Esta garantía otorga derechos específicos y es posible que tenga otros derechos que varían según el estado.

Algunos estados no permiten la exclusión o limitación de garantías implícitas o de daños indirectos o consecutivos, por lo que es posible que la limitación anterior no le corresponda.

**Tarjeta de garantía:** No es necesario registrar la garantía para la cobertura conforme a la garantía limitada de A. O. Smith. Si realizó la compra a través de un minorista o distribuidor, complete el registro de garantía en línea en [www.AOSmithAtLowe.com/register](http://www.AOSmithAtLowe.com/register). Una vez registrada en línea, tendremos un registro de su compra y no tendrá que presentar un comprobante de compra por una reclamación de garantía.

A. O. Smith has obsessively engineered this water softener for you.

To find other systems or components, visit [AOSmithAtLowe.com](http://AOSmithAtLowe.com) or visit your local Lowe's store.

If you need help or have a question, we've got you covered.  
Give us a call at 855.424.9892.

A. O. Smith diseñó este ablandador de agua minuciosamente para usted.

Para encontrar otros sistemas o componentes, visite [AOSmithAtLowe.com](http://AOSmithAtLowe.com) o visite su tienda Lowe's local.

Si necesita ayuda o tiene alguna consulta, nosotros nos encargamos.  
Llámanos al 855.424.9892.



System Tested and Certified by NSF International according to CSA B483.1 and NSF/ANSI Standard 44 for the reduction of Barium, Radium 226/228 and Hardness Reduction.

Sistema probado y certificado por NSF International conforme a CSA B483.1 y a la norma NSF/ANSI 44 para la reducción de bario, radio 226/228 y para la reducción de la dureza.

#100238095